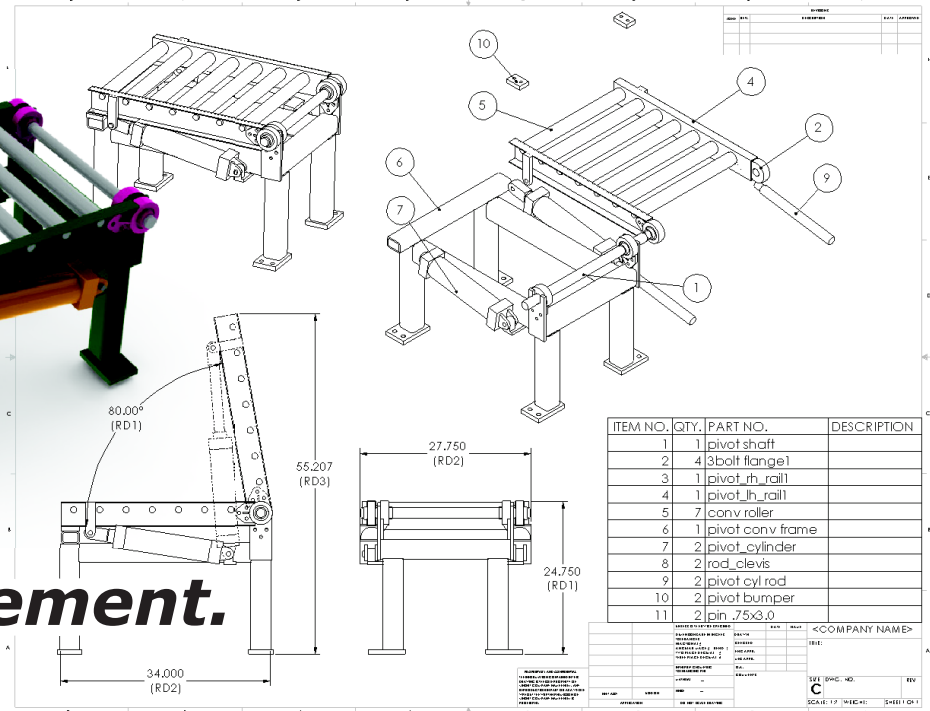
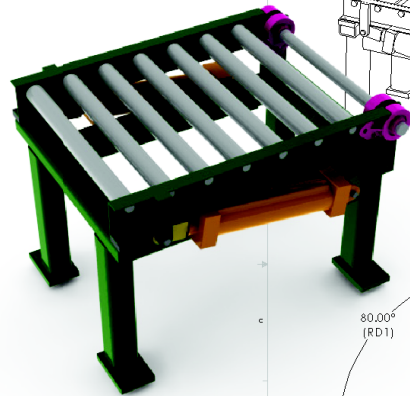




We Understand.
We Apply.
We Deliver.

www.alignex.com

Experts in Aligning Technology



Alignex recognizes your commitment to improvement.

In keeping with our commitment to excellence,
this certifies that

Brian Rooney

has successfully completed the course requirements for

SolidWorks Drawings

October 21, 2010



Alignex, Inc. | 7200 Metro Blvd. Edina, MN 55439

Instructor: Robert Styer

